

FLOW SENSOR

Vass Asia Sensormatic

FL-01-ABS

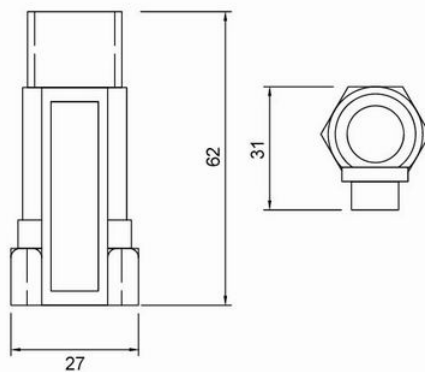


FEATURES:
Material ABS

Control various amounts of flowing liquid in a small-scale process.
Detection of amount of flowing liquid in a pump, hot water and warm water supplies.

SPECIFICATION

Part No.	FL-01-ABS
Contact Type	Normal Open
Temperature Rating	-10 to 95 deg C
Input Diameter	1/2"
Output Diameter	1/2"
Min. Start Flow	1LPM
Max. Pressure	1.5 MPA
Install Angle	Level & Vertically



Vass Asia sensormatic corp

11F-1, No. 197, Sec 4, Nanjing E Rd, Taipei, Taiwan. TEL : 886-2-8712-7677 / 8712-6292 FAX : 886-2-8712-7578

Website: www.sensor-solution.com